



Main

Range of product	Zelio Relay
Product or component type	Solid state relay
Device short name	SSM

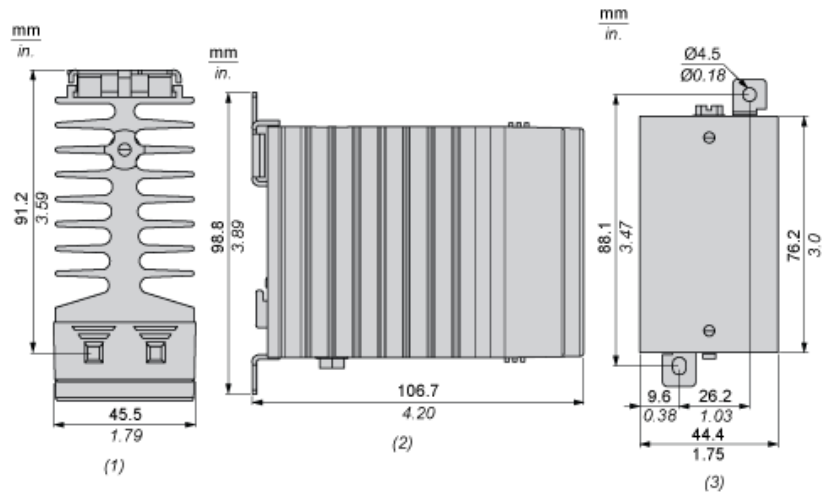
Complementary

Mounting support	Symmetrical DIN rail
[In] rated current	45 A
Output voltage	48...600 V AC
Control circuit voltage	90...140 V AC
Contacts type and composition	1 NO
Tightening torque	1.1...1.7 N.m for output 0.6...0.7 N.m for input
Connections - terminals	Screw terminals 1 x 0.2...1 x 8.4 mm ² (AWG 24...AWG 8) for output Screw terminals 1 x 0.2...1 x 3.3 mm ² (AWG 24...AWG 12) for input
Capacitance unbalance	<= 8 pF for input/output
Insulation resistance	1000 MOhm at 500 V DC
Local signalling	LED green for input status
Switching voltage	10 V AC turn-off 90 V AC turn-on
Input current limits	14...17 mA
Solid state output type	Zero voltage switching SCR output
Load current	0.15...45 A
Absolute maximum voltage	1200 V
Surge current	625 A for 8.3 ms
Voltage drop	1.6 V on-state
Maximum I ² t for fusing	1620 A ² .s for 8.3 ms
Leakage current	<= 1 mA off-state
DV/Dt	500 V/μs off-state at maximum voltage
Response time	0.5 cycle turn-off 0.5 cycle turn-on
Overvoltage category	III
Width	45 mm
Height	99 mm
Depth	107 mm
Product weight	0.476 kg

Environment

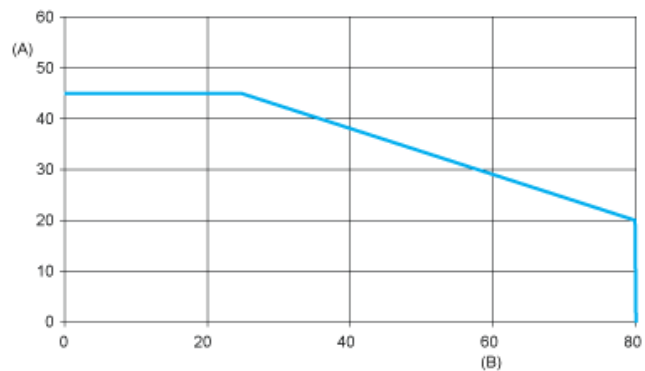
Dielectric strength	4 kV AC for input or output to case 4 kV AC for input/output
Pollution degree	2
Standards	IEC 61000 IEC 60950-1
Product certifications	CSA UL REACH
Marking	CE
IP degree of protection	IP20
Ambient air temperature for operation	-40...80 °C
Ambient air temperature for storage	-40...125 °C

Dimensions



- (1) Top view
- (2) Front view
- (3) Side view

Derating Curves



A : Load Current (Amperes)
B : Ambient Temperature (°C)