

Model 6100E Paperless Graphic Recorders

Specification Sheet



The 6100E offers unrivalled input accuracy with a 125ms total sample rate for up to 6 input channels. Input channels are freely configurable to suit your process requirements. Each instrument has an intuitive, touch screen display to enable operators to clearly view process data in varying formats, 8MB of onboard Flash data storage capability, Ethernet communication and a Compact Flash drive. Data is stored in a tamper-resistant binary format that can be used for secure, long term records of your process. The 6100E is truly designed for today's networked world and can be accessed via a Local Area Network, dial-up connection, Intranet or Internet.

- 5.5" Colour TFT touchscreen display
- USB 'plug & play'
- 8MB non-volatile flash memory
- 125ms parallel sampling/ 1s update
- Compact Flash
- Ethernet TCP/IP
- Web server
- Multi-language support (French, Dutch, German, Italian, Japanese, Korean, Portuguese, Russian and Simplified Chinese)

Available features	6100E
Display	5.5" 1/4 VGA
Channels	3 standard, 6 optional
Groups	1
Removable media	CF, USB
Communications	Modbus TCP (slave), Ethernet FTP (server & client)
Timers	6
Alarms	4 per channel
Events	3
Custom messages	3
CSV files	Standard
Operator notes	Standard
Bezel	Black
Standard views	Vertical and horizontal trends, vertical and horizontal bar graphs, numeric values
Relays	3 CO optional
Virtual channels	12 optional
Onboard, non-volatile Flash memory	8MB
Environmental protection	IP66
Approvals	CE, CUL
Display update	1s max.
Trend update	1s max.
Web server	Standard
Ethernet (10/100baseT)	Standard
USB Port	1
DHCP	Standard

* Virtual channels can be configured as maths, totalisers, counters or comms

Data logging and archiving

The 6100E Series recorder has internal Flash memory for secure data storage. It is also able to accept various removable media types (Compact Flash or USB memory stick). Data stored within the internal memory can be archived to the removable media on demand or at preset intervals. The 6100E will give indication of how long its internal memory and that of the removable media installed will last according to the configuration of the recorder.

Ethernet capability is standard on all 6000 Series. The 6100E can be configured to archive to the removable media and/or over Ethernet. Archiving files over Ethernet effectively gives a secure, infinite archiving capacity.

Approximate duration for continuous recording of one group of six channels, high compression:

Archive Media	Sample Rate				
	1s	5s	10s	30s	60s
8Mb Internal Flash (approx. 1 million samples)	5.65 days	28.25 days	56.5 days	1.68 yrs	3.40 yrs
64Mb CF Card or USB memory stick (approx. 8 million samples)	45.3 days	226 days	1.2 yrs	3.7 yrs	7.4 yrs
256Mb CF Card or USB memory stick (approx. 32 million samples)	181 days	2.4 yrs	4.9 yrs	14.8 yrs	20 yrs
1Gb CF Card or USB memory stick (approx. 125 million samples)	1.9 yrs	9.6 yrs	19 yrs	58 yrs	116 yrs
Ethernet (FTP Server)	Infinite				

Time synchronisation (SNTP)

The 6000 Series support Simple Network Time Protocol which, when enabled, updates the instrument time every 15 minutes from the configured SNTP server. The unit can also act as a Unicast SNTP server on the network, allowing client instruments to synchronise with the 6100E to a resolution of one millisecond.

Virtual channels

The 6100E virtual channel option provides 12 channels to which can be assigned any of the following math functions: add, subtract, multiply, divide, constant, group, max, channel min, channel max, channel average and rolling average.

Additionally, any virtual channel can be assigned as a totaliser or counter.

The 12 virtual channels can be made up from a mixed combination of math functions, totalisers and counters.

Language support

The 6100E supports, as standard, the following languages: English, Spanish, German, French, Italian, Portuguese, Japanese and Dutch.

Specification

Recorder	
Environmental performance	
Temperature limits	Operation: 0 to +50°C Storage: -20 to 60°C
Humidity limits	Operation: 5% to 80% RH Storage: 5% to 90% RH
Protection	Bezel and display: IP66 Sleeve: IP20
Shock:	BS EN61010
Vibration (10Hz to 150Hz):	BSEN60873, Section 9,18
Altitude	<2000 metres
Approvals	
Electromagnetic compatibility:	CE, cUL (EMC)
UL file number:	e57766
Emissions and immunity:	BS EN61326
Electrical safety	
BS EN61010:	Installation cat. II; Pollution degree 2
INSTALLATION CATEGORY II The rate impulse voltage for equipment on nominal 230V mains is 2500V.	
POLLUTION DEGREE 2 Normally, only non-conductive pollution occurs. Occasionally, however, a temporary conductivity caused by condensation shall be expected.	
Physical	
Panel mounting:	DIN43700
Panel mounting angle:	V±45°
Bezel size:	144 x 144mm
Panel cutout dimensions:	138 x 138mm (both -0/+1mm)
Depth behind bezel rear face:	246.5mm (284 LTC)
Weight:	3kg max. (5kg if fitted in portable case)
Operator interface	
Type:	Colour TFT LCD, with cold cathode backlight, fitted with resistive, analogue, Touch-Panel
Size and resolution:	1/4VGA (320 x 240 pixels) 5.5"
Power requirements	
Supply voltage	Standard: 100 to 230V ac ±15%; 47 to 63Hz or 110 to 370V dc
Power (Max):	60VA (Inrush current 36A)
Fuse type:	None
Interrupt protection	Standard: Holdup >200msec, at 240V ac, with full load
Back-up battery	
Type:	Poly-carbonmonofluoride/lithium (BR2330) Part No. PA261095
Support time (RTC):	1 year min. with recorder unpowered
Replacement period:	3 years
Stored data:	Time; date; values for totalisers, counters and timers; batch data; F value, Rolling average, Stopwatch etc.
Ethernet communications	
Type:	10/100baseT Ethernet (IEEE802.3)
Protocols:	TCP/IP, FTP, DHCP, BOOTP, SNTP, Modbus, ICMP
Cable	Type: CAT5 Maximum length: 100 metres Termination: RJ45
Input board	
General	
Input types:	dc Volts, dc millivolts, dc milliamps (with shunt), Thermocouple, 2/3-wire RTD. Contact closure (not Channel 1) >60 ms
Input type mix:	Freely configurable.
Max. number of inputs:	6 per board
A/D conversion method:	>16 bits, 2nd order delta sigma
Input ranges:	See Table 1 and Table 2
Termination:	Edge connector / terminal block
Noise rejection (48 to 62Hz):	Common mode: >140dB (channel to channel and channel to ground). Series mode: >60dB
Max common mode voltage:	250 Volts continuous
Max series mode voltage:	45mV at lowest range; 23.74 Volts peak at highest range

Isolation	Channel to channel:	300V RMS or dc (double insulation)
	Channel to common electronics:	300V RMS or dc (double insulation)
	Channel to ground:	300V RMS or dc (basic insulation)
Dielectric strength (BS EN61010) (1 minute type tests)		
	Channel to channel:	2500V ac
	Channel to ground:	1500V ac
Insulation resistance:	>10MΩ at 500V dc	
Input impedance:	38mV, 150mV, 1 V ranges: >10MΩ; 20V range: 65.3kΩ	
Over voltage protection:	50 Volts peak (150V with attenuator)	
Open circuit detection:	± 57nA max.	
Recognition time:	500msec	
Minimum break resistance:	10MΩ	

Update/archive rates

Input/Relay-output sample rate:	8Hz
Trend update:	1Hz maximum
Archive sample-value:	Latest value at archive time
Display value:	Latest value at display update time (8Hz)

DC Input ranges

Shunt:	Externally mounted resistor modules
Additional error due to shunt:	0.1% of input
Additional error due to attenuator:	0.2% of input
Performance:	See Table 1

Low Range	High Range	Resolution	Typical error (instrument at 20°C) Range	Maximum error (instrument at 20°C) Range	Worst case temp Performance Input per °C
-38mV	38mV	1.4μV	0.013% I/P + 0.031%	0.030% I/P + 0.052%	25ppm
-150mV	150mV	5.5μV	0.013% I/P + 0.028%	0.029% I/P + 0.039%	25ppm
-1V	1V	37μV	0.013% I/P + 0.024%	0.029% I/P + 0.029%	25ppm
-20V	20V	720μV	0.075% I/P + 0.027%	0.393% I/P + 0.033%	388ppm

Table 1 Voltage ranges – accuracy and resolution

Low Range	High Range	Resolution	Typical error (instrument at 20°C) Range	Maximum error (instrument at 20°C) Range	Worst case temp Performance Input per °C
0Ω	150Ω	5mΩ	0.027% I/P + 0.034%	0.037% I/P + 0.077%	30ppm
0Ω	600Ω	22mΩ	0.027% I/P + 0.035%	0.037% I/P + 0.057%	30ppm
0Ω	5KΩ	148mΩ	0.030% I/P + 0.034%	0.040% I/P + 0.041%	30ppm

Table 2 Resistance ranges – accuracy and resolution

Thermocouple data

Temperature scale:	ITS 90
Bias current:	0.05nA
Cold junction types:	Off, internal, external, remote
CJ error:	1°C max with inst. at 25°C
CJ rejection ratio:	50:1 minimum
Upscale/downscale drive:	High, low or none selectable for each thermocouple channel
Additional error:	0.01°C (typ.) if high or low selected
Types and ranges:	See Table 3

T/C Type	Overall range (°C)	Standard	Max linearisation error
B	0to+1820	IEC 584.1	0to400°C=1.7°C 400to1820°C=0.03°C
C	0to+2300	Hoskins	0.12°C
D	0to+2495	Hoskins	0.08°C
E	-270to+1000	IEC 584.1	0.03°C
G2	0to+2315	Hoskins	0.07°C
J	-210to+1200	IEC 584.1	0.02°C
K	-270to+1372	IEC 584.1	0.04°C
L	-200to+900	DIN43710:1985 (To IPTS68)	0.02°C
N	-270to+1300	IEC 584.1	0.04°C
R	-50to+1768	IEC 584.1	0.04°C
S	-50to+1768	IEC 584.1	0.04°C
T	-270to+400	IEC 584.1	0.02°C
U	-200to+600	DIN43710:1985	0.08°C
NiMo/NiCo	-50to+1410	ASTM E1751-95	0.06°C
Ni/NiMo	0to+1406	Ipsen	0.14°C
Platinel	0to+1370	Engelhard	0.02°C
Pt20%Rh/Pt40%Rh	0to+1888	ASTM E1751-95	0.07°C

Table 3 Thermocouple types and ranges

Resistance inputs

Ranges	(including lead resistance): 0 to 150Ω, 0 to 600Ω, 0 to 6kΩ
Influence of lead resistance	Error: Negligible Mismatch: 1Ω/Ω
Temperature scale:	ITS90
Accuracy and resolution:	See Table 2
RTD types and ranges:	See Table 4

RTD Type	Overall Range (C°)	Standard	Max linearisation (°C) error
Cu10	-20 to +400	General Electric Co.	0.02 °C
Cu53	-70 to ± 200	RC21-4-1966	<0.01°C
JPT100	-220 to +630	JIS C1604:1989	0.01 °C
Ni100	-60 to +250	DIN43760:1987	0.01 °C
Ni120	-50 to +170	DIN43760:1987	0.01 °C
Pt100	-200 to +850	IEC 751	0.01 °C
Pt100A	-200 to +600	Eurotherm Recorders SA	0.09 °C
Pt1000	-200 to +850	IEC 751	0.01 °C

Table 4 RTD types and ranges

Transmitter PSU

Number of outputs:	Three, isolated
Output voltage:	25V nominal
Maximum current:	20mA per output
Isolation (dc to 65Hz BS61010):	Installation category II; Pollution degree 2
Channel to channel:	100V RMS or DC (double insulation)
Channel to ground:	100V RMS or dc (basic insulation)
Fuse (20mm Type T)	Supply voltage = 110/120V ac: 100mA

Relay output board

General	
Maximum number of relay boards:	1
Number of relays per board:	3 per C/O
Estimated mechanical life:	30,000,000 operations
Update rate:	See 'Update rates' in 'Recorder Specification' above
Maximum contact current:	2 Amps providing this does not cause the maximum switching power (above) to be exceeded

AC load ratings

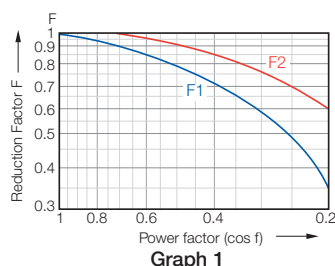
Derating	
The figures given below are for resistive loads. For reactive or inductive loads, de-rate in accordance with Graph 1, in which:	
F1 =	Actually measured results on representative samples
F2 =	Typical values according to experience
Contact life =	Resistive contact life x reduction factor
Maximum switching power:	500VA
Maximum contact voltage:	250V providing this does not cause the maximum switching power (above) to be exceeded

DC load ratings

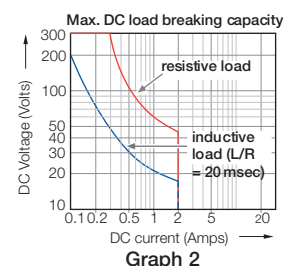
Maximum switching power:	See Graph 2 for operating volt/amp envelope
Maximum contact voltage/current:	See Graph 2 for examples

Safety isolation

Isolation (dc to 65Hz; BS EN61010):	Installation category II; Pollution degree 2
Relay to relay:	300V RMS or dc (double insulation)
Relay to ground:	300V RMS or dc (basic insulation)



Graph 1



Graph 2

Mechanical Details

Front view
144mm
144mm
Access Flap

Side elevation
24.75mm
246.5mm*
211.5mm
102mm
106.9mm
137mm
135mm
Panel thickness 6 to 25mm max
Optimum thickness depends on panel material

View on underside
137mm

* Standard Terminal Cover: 246.5mm
Long Terminal Cover: Closed: 288mm
Open: 415mm

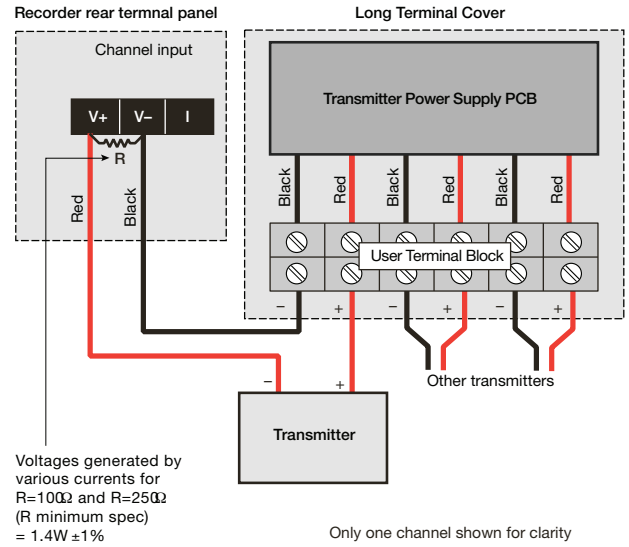
Panel cut-out
138mm (+1 -0) x 138mm (+1 -0)

Minimum recommended inter-unit spacing	
Side clamps	Top/bottom clamps
x = 15mm (0.6 inch) y = 10mm (0.4 inch)	x = 10mm (0.4 inch) y = 15mm (0.6 inch)

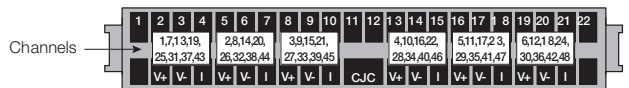
Maximum Installed Angle
a = b = 45 degrees max

Panel mounting technique

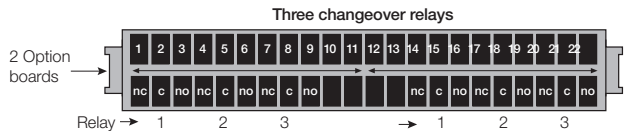
Isolated transmitter power supply wiring



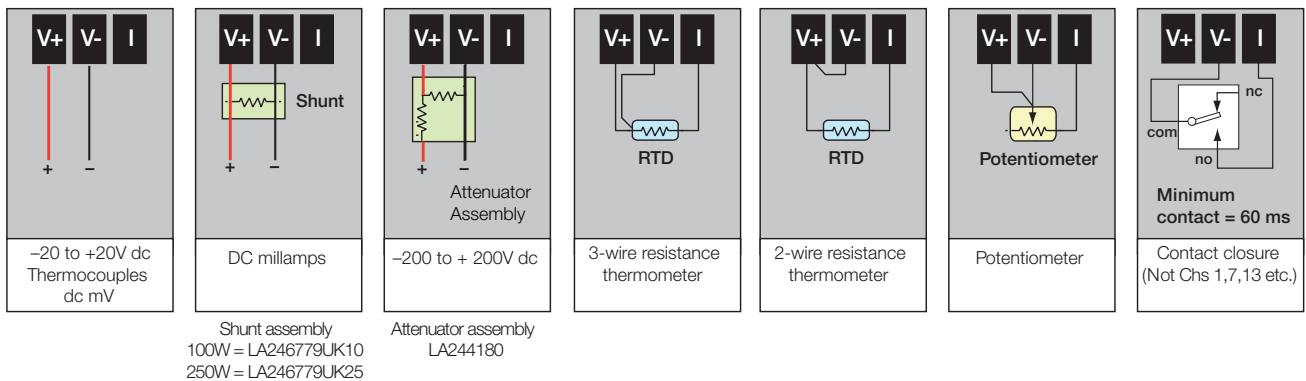
Input board wiring



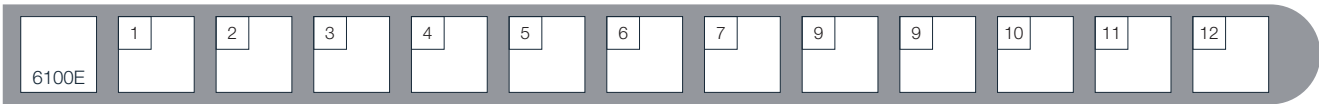
Relay board wiring



Input board signal wiring



Order Codes



Basic Product	
6100E	Data Acquisition Unit

1 Number of Channels	
U03	3 Input channels
U06	6 Input channels

2 Power Supply	
VH	90-264V ac 110-370V dc 45-65Hz

3 24V Isolated Transmitter Power Supply	
NOITPS	None
115TPS	110-120V 3 channel TPS
230TPS	220-240V 3 channel TPS

4 Memory Card Size	
NOMS	None
008G	8 Gbyte card (CF)

5 USB Memory Stick Size	
NOMS	None
008G	8 Gbyte USB memory stick

6 Calibration Certificates	
NOCAL	None
STCAL	Standard calibration certificate (all channels at 0-1V dc)
CMCAL	Custom calibration of each ch as specified on purchase order

7 Changeover Relays	
00	None
03	3 (1 Option brd)

8 Quantity of Shunts	
00	Qty of shunts

9 Shunt Value	
NOS	No shunts
100	100 ohm shunts
250	250 ohm shunts

10 Quantity of 100:1 Attenuators	
00	Qty of attenuators

11 Warranty	
XXXXX	Standard
1WL005	5 year

12 Maths, Totalisers & Counters	
MTC00	None
MTC12	12 virtual channels

13 Custom Label	
XXXXX	None

14 Special	
XXXXX	None

15 Bridge	
XXXXXX	None
BLITE	Lite
BFULL	Full

Standard Accessories
Installation and safety data sheet
Panel mounting clamps
Panel seal
User manual – via internet download from eurotherm.com/6100E

Optional Accessories
Via internet download from eurotherm.com/downloads
6000 Tools include:
<ul style="list-style-type: none"> Data Reviewer free Foundation edition Data Reviewer Enterprise edition (contains additional features)
For more information visit eurotherm.com/reviewer

Eurotherm
 Faraday Close, Worthing,
 West Sussex, BN13 3PL
 United Kingdom
 Phone: + 44 (0)1903 263333

www.eurotherm.com

Document Number HA029593 Issue 4

Watlow, Eurotherm, EurothermSuite, EFit, EPack, EPower, Eycon, Chessell, Mini8, nanodac, piccolo and versadac are trademarks and property of Watlow its subsidiaries and affiliated companies. All other trademarks are the property of their respective owners.

©Watlow Electric Manufacturing Company. All rights reserved.

Contact your local sales representative

